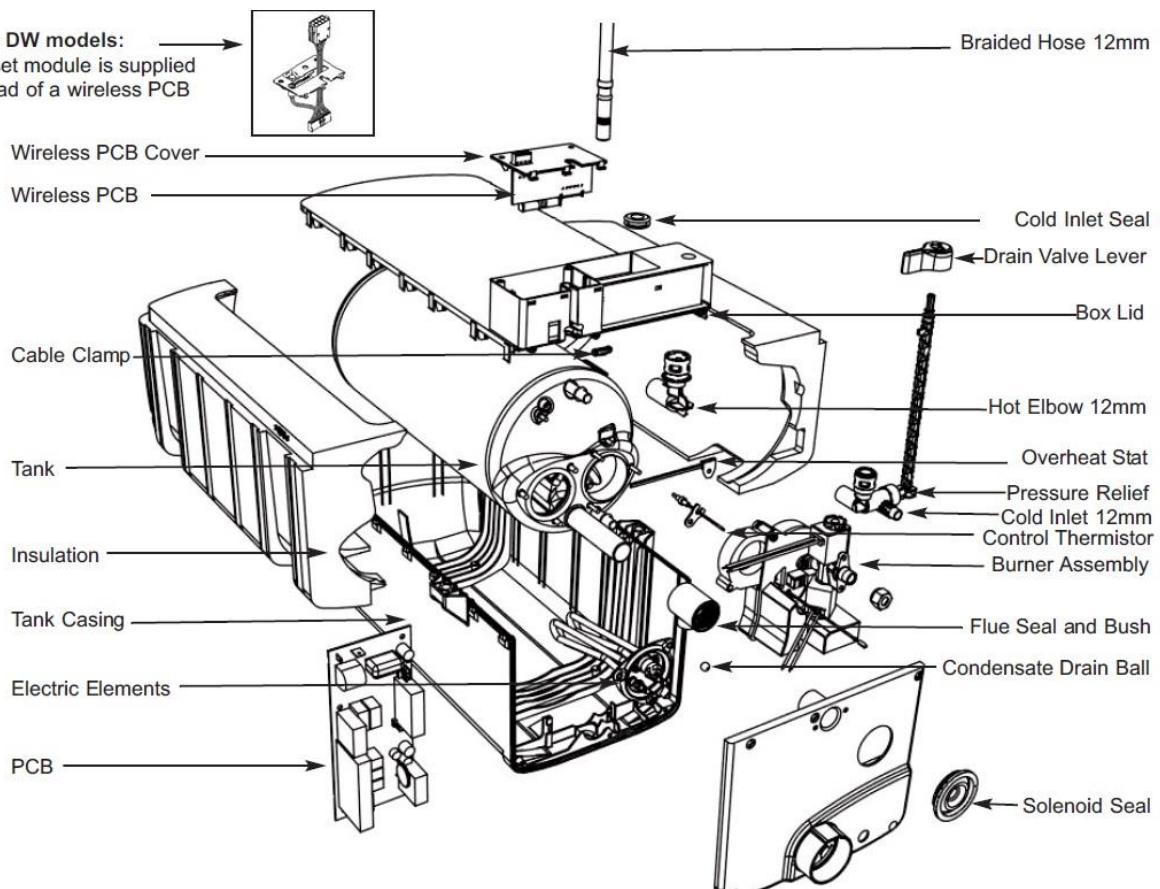


# Expanse Gas & Electric Water Heater







**Note DW models:**

A reset module is supplied instead of a wireless PCB



Item number	Description	Image
AK1275	EXP G+E PRD Valve Assy	
AK1277	EXP PCB Zigbee Spitfire 782.29 (for iVan Space Heater system) Up to 2020/ IW	
Z-782.96 Pink wires	EXP Reset Switch (included in AK1277) (for iVan Space Heater system) Post 2016 w/ 782.115	
Z-782.96 Yellow wires	EXP Reset Switch (included in AK1277) (for iVan Space Heater system) Pre 2016 w/ 782.20	
Z-782.112	Exp reset for Duo Control, Pre LIN	
AK1293	Exp Communication PCB 886.01 2020 iVan models only	
AK1294	Exp Communication PCB 886.02 2020 Duo Control models only	
AK1278	EXP Brnr Assy 1.35kW	
AK1280	EXP ElctrElmnt Assy 1.5kW	
AK1281	EXP G+E Temp Sens	

<b>AK1282</b>	EXP Gas Overheat Stat	
<b>AK1276</b>	Exp Pcb Gas Elec Main 782.20 WW GE IW/DW to 06/16 w/ old AFS	
<b>AK1900</b>	Exp Pcb Gas Elec Main 782.115 DW/ IW from 07/16	
<b>AK1901</b>	Exp Pcb Gas Main 782.96 WW G	
<b>AK1902</b>	Exp Prdv Lever	
<b>AK1903</b>	Exp 230 V Cble 3 Way JST Z-782.28	
<b>AK1904</b>	Exp Cntrl Pnl Anlg Gas Elec Z-782.47	
<b>AK1905</b>	Exp Cntrl Pnl Anlg Gas Z-782.49	
<b>AK1906</b>	Exp Harness Anlg Gas Elec 3.5m Z-782.48	
<b>AK1907</b>	Exp Harness Anlg Gas 3.5m Z-782.100	
<b>AK1908</b>	Exp Harness Anlg Gas 7.0m Z-782.114	
<b>AK1909</b>	Exp Flue Terminal	

<b>AK1801B</b>	7.0m Lin Cable	
<b>AK1884</b>	Exp Wh Brd Hose 12mm x 12mm	
<b>AK1910</b>	Exp Pcb Gas Elec Main 782.127 WL GE	
<b>AK1911</b>	Exp Pcb Gas Main 782.129 WL G	
<b>AK1912</b>	Exp Pcb Lin from 01/2021 782.128 WL	
<b>AK1228</b>	Vac Relief valve	

### *Replacement Heaters*

If a replacement Heater is required, please reference the table below to determine which Spare Heater code is required to replace it.

Heater Kit	Heater
WW0801Ox	AK1913
WW0801Ux	AK1914
WW0821Ox	AK1915
WW0821Ux	AK1916
DW0801	AK1917
DW8202	AK1918
DW8212	AK1919
IW0801Ox	AK1920
IW0801Ux	AK1921
IW8212	AK1922
WL8201	AK1923
WL8211	AK1924
WL8202	AK1925
WL8212	AK1926